

# Shoe Organizer Plans



by

**Our Home from Scratch**

## **Disclaimer**

Our Home from Scratch LLC and its legal owners cannot be held responsible for any loss, damage, injury or death resulting from following the procedures or techniques described in these plans. Our Home from Scratch LLC and its legal owners assume no risk and cannot be held responsible for any misuse of these plans either directly or indirectly. They make no statements as to the weight or strength capacity of the item described in these plans.

These plans may contain errors and Our Home from Scratch LLC and its legal owners cannot be held responsible for any error. No guarantee is made as to the quality of any product that is described herein.

Always use appropriate Personal Protection Equipment when working with tools and exercise caution if taking any action associated with these plans.

Attempt at your own risk. Some woodworking skills are required.

This procedure contains affiliate links.

## **Distribution Policy**

By downloading these plans you consent to this distribution policy. These plans are not to be distributed in anyway without the express consent of Our Home from Scratch LLC or its legal owners. The individual pictures or procedures contained herein are also not to be copied or shared.

## **Introduction**

The plans for this simple shoe organizer were developed from the same shoe rack that is currently in our home, which was featured in our blog post series on [How to Build a Garage Shoe Organizer](#). Unlike the details found in the blog, these plans contain a complete material list, dimensions for lumber as well as step by step instructions. It can be built mostly from material found at your local hardware store and painted to a color of your choosing.

This shoe organizer consists of two long boards with a series of small shelves connecting them. That's it. I've dramatically simplified the procedure that I originally used in order to make this project easier and more accessible to the novice woodworker or average DIYer. Thus, the material list calls for solid wood boards instead of plywood as seen in the blog post series. If you prefer plywood, you are welcome to use that too.

If you get stuck on any particular part of these woodworking plans, feel free to email me at [John@ourhomefromscratch.com](mailto:John@ourhomefromscratch.com) with any questions you may have. You may also find our blog post on [How to Build a Garage Shoe Organizer](#) helpful since this project is very similar.

Feel free to modify these plans as your needs require. This cabinet was designed with my size 9 shoes in mind, but if you need more length, just use a wider board. If you need even more room for shoe storage, you may want to build two.

I hope you enjoy the challenge of building this project and get plenty of use out of it.

R,

John

## **Overall Dimensions:**

Height: 76"

Width: 11.5"

Depth: 11.125"

## **Getting Started**

These woodworking plans will take you step by step through the build of this shoe organizer. The first thing you should do is read through these procedures to familiarize yourself with the materials, tools and skill requirements necessary to complete them.

## **Tools**

The tools I used for this project include the following:

1. [Table Saw with 60 tooth saw blade](#)
2. [Miter Saw](#) (also with 60 tooth saw blade)
3. [Cordless Drill](#)
4. [Kreg Pocket Hole Jig](#) (optional)
5. [Random Orbital Sander](#)

## **Materials List:**

Listed below is a table with all the parts necessary to build this shoe organizer. All of this material should be available at your local large hardware store (Lowe's, Home Depot, True Value, etc.) The fasteners will depend upon which build method you choose. If you opt to use pocket holes, purchase the pocket hole screws otherwise, buy standard wood screws.

Since this is a paint grade project, I would recommend you use pine, poplar or maple. Although, pine tends to be much softer than maple or poplar and it may show more wear over time compared to poplar and maple. If you would like to build a stained wood shoe rack instead, simply use the stain grade wood of your choice (Oak, Cherry, Pine, etc.)

**TABLE 1: MATERIAL LIST**

	<b><u>Required Items</u></b>	<b><u>Quantity</u></b>
1	1x10x8 Poplar Boards (Actual .75" x 9.25" x 8')	2
2	1x12x8 Poplar Boards (Actual .75" x 11.25" x 8')	1
3	<a href="#"><u>1-1/4" Long Pocket Screws</u></a>	32
4	OR 1.5" Long Wood Screws	32

## **Build Methods**

There are a few ways to build this shoe rack.

1. It can be built using simple butt joints and standard wood screws driven in from the sides.
  - a. Cons: The screw holes will be visible unless they are plugged or otherwise covered.
  - b. Pros: The build method is simple and nearly every DIYer should be able to complete this method.

2. You also have the option of using pocket screws on the bottom of each shelf in a more inconspicuous location.
  - a. Cons: It can be harder to get a large cordless drill into the shelf area to drive the screws so you may need a smaller drill. The fasteners are not completely hidden, just more out of the way.
  - b. Pros: Pocket screws will give the shoe rack sides a cleaner look. The material list in these plans won't need to be modified if you choose to assemble the cabinet using pocket screws.
  
3. If you own a radial arm saw, adding dados to the sides can be a fairly simple process. Dados can also be cut using a router. A shoe rack with dados allows the unit to be built with just wood glue and without any fasteners as the shelves will sit in the side dados.
  - a. Cons: Dado joints take more time to setup. You will need to adjust the shelf dimensions to accommodate the dados or the shelf will be more narrow.
  - b. Pros: Once the dados are cut the shoe rack won't have any fasteners and will have a cleaner look.

**This procedure will detail how to build this shoe rack using Build Method #1.**

## **Material Preparation:**

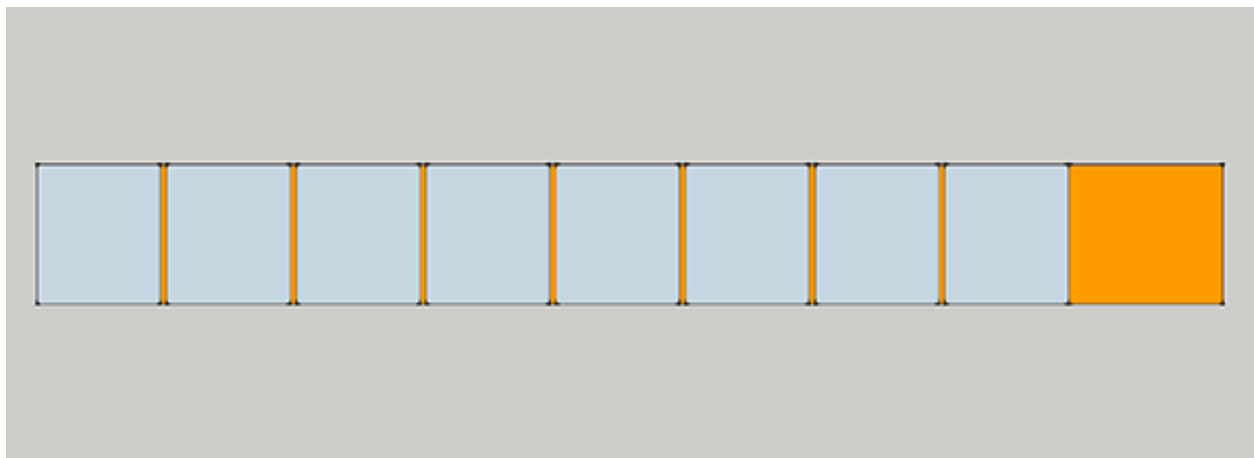
With the material purchased and your build method selected, the lumber can now be cut to final dimension. Refer to Table 2 for the dimensions of the pieces as well as Figures 1, 2, 3 and 4 for cut sheets and jig dimensions. In those figures, the blue area is the finished piece of wood you'll need to keep. The orange or wood colored area can be discarded or saved for a future project. Figure 1 is the cut sheet for the 1x10 boards. Each 1x10 board contains one side piece. Both jigs as well as the back braces can also be cut from the remaining 1x10 material. Figure 2 is the 1x12 board with all the shelves.

**TABLE 2: HARDWOOD DIMENSIONS**

<u>Item</u>	<u>Description</u>	<u>Width</u>	<u>Length</u>	<u>Quantity</u>
A	Sides	9.25"	76"	2
B	Shelves	11.25"	10"	8
C	Back Brace	4"	10"	2
D	Bottom Jig (See Drawing)			1
E	Shelf Jig (See Drawing)			1

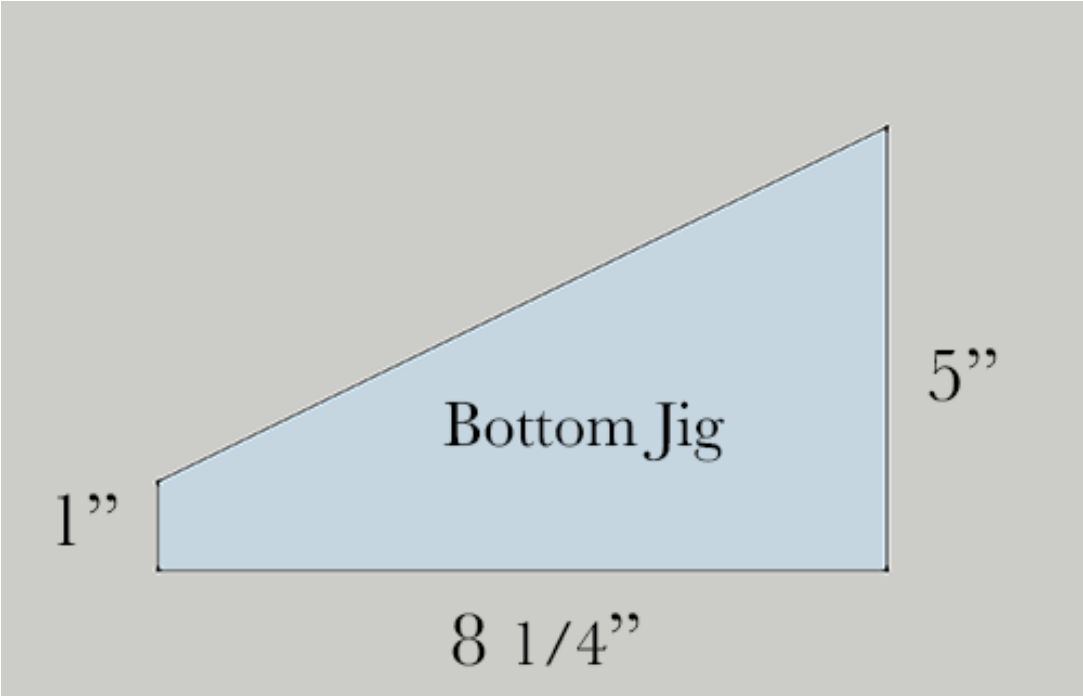


**Figure 1: 1x10s Cut Sheet**

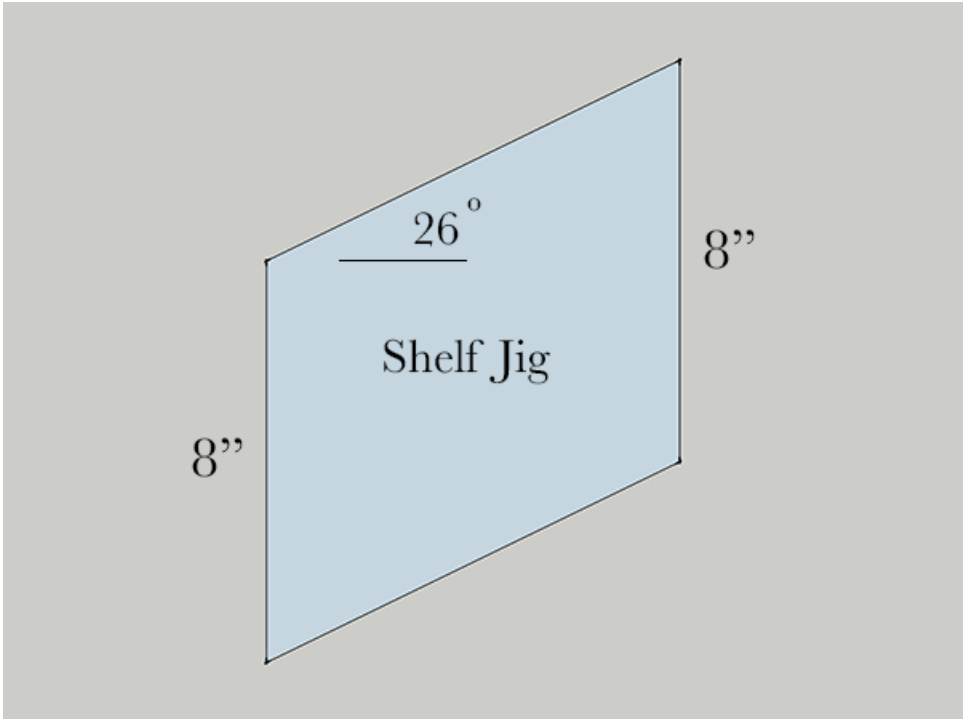


**Figure 2: 1x12 Cut Sheet**

Figure 3 is the diagram for the bottom jig. Figure 4 is the diagram for the shelf jig.



**Figure 3: Bottom Jig**



**Figure 4: Shelf Jig**



## **Sanding and Painting**

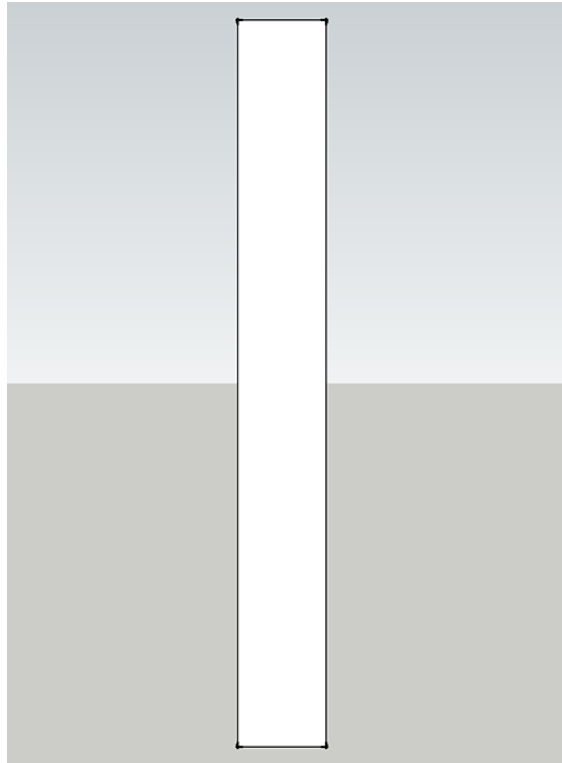
Because this shoe organizer contains a lot of surfaces that can be hard to reach with a spray gun, roller or paint brush when it's assembled, you may want to sand and paint it before you put it together.

Before painting, every surface that will receive a finish should be sanded. I used a 120 grit sandpaper on my random orbital sander and followed up with 220 grit.

This shoe rack can be finished with a variety of primers and paints depending upon your requirements. For this particular project, I recommend you apply two coats of primer and two coats of whatever finish paint you prefer. If using normal latex paint, allow the cabinet to dry for several days to a couple of weeks for maximum adhesion. Otherwise, objects you place on the cabinet may remove paint when they are moved.

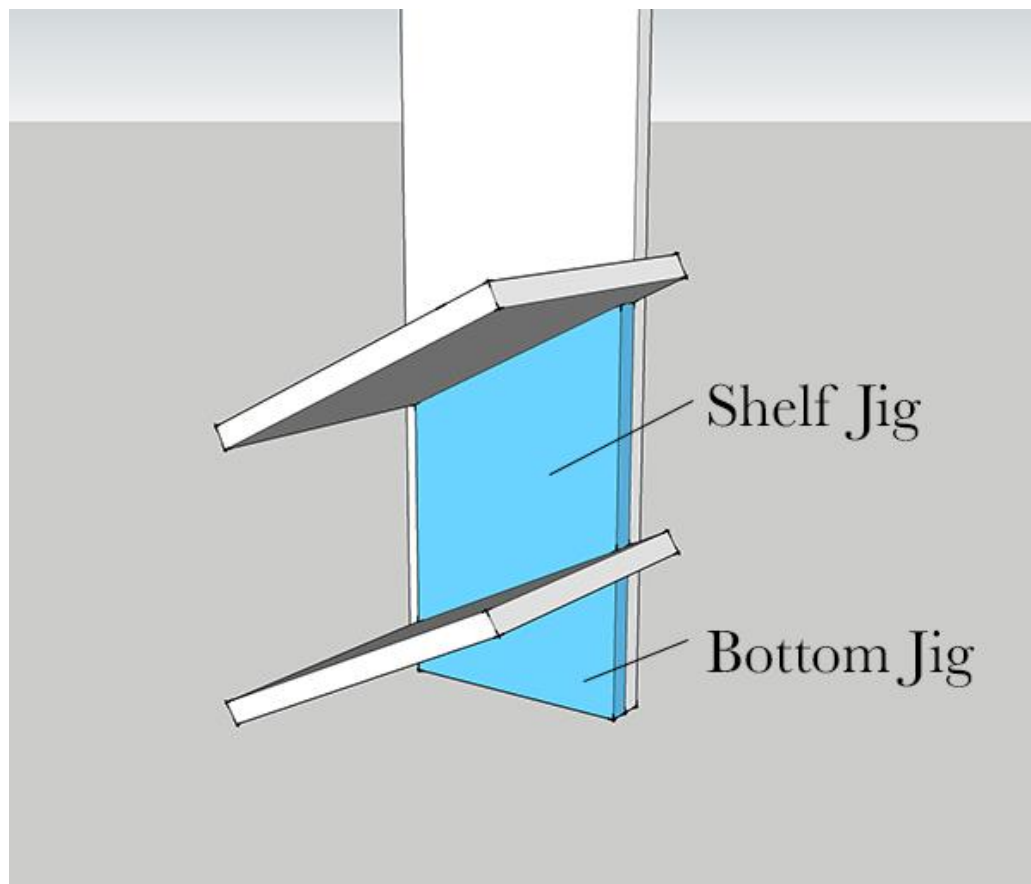
## **Assembly:**

With the material cut to their final dimensions, the assembly process can begin. Start by laying out one of the side boards as in Figure 5.



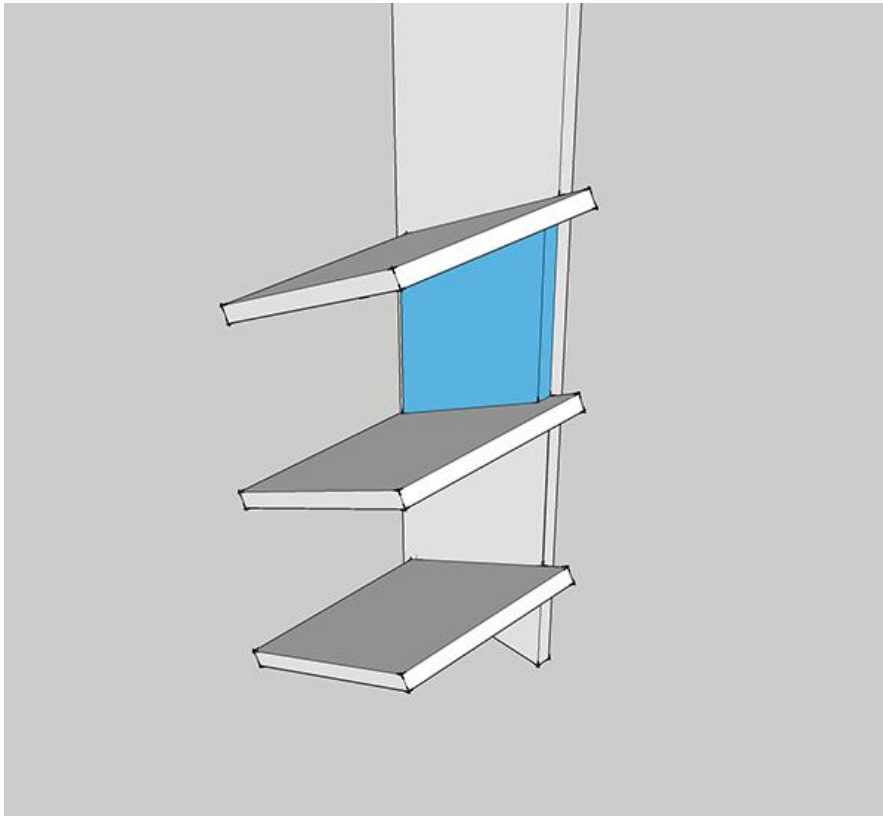
**Figure 5: Side Board**

Next, line up the Bottom Jig with the front and bottom edges of the board as in Figure 6. The jig should be an inch shorter than the width of the side board. Clamp the Bottom Jig in place. Rest a shelf board on the Bottom Jig aligning the back edge of the shelf with the back edge of the Bottom Jig. Now the shelf can be attached to the side board using wood screws from the other side of the side board into the shelf or using pocket screws from the shelf into the side board. The Bottom Jig can now be unclamped and removed

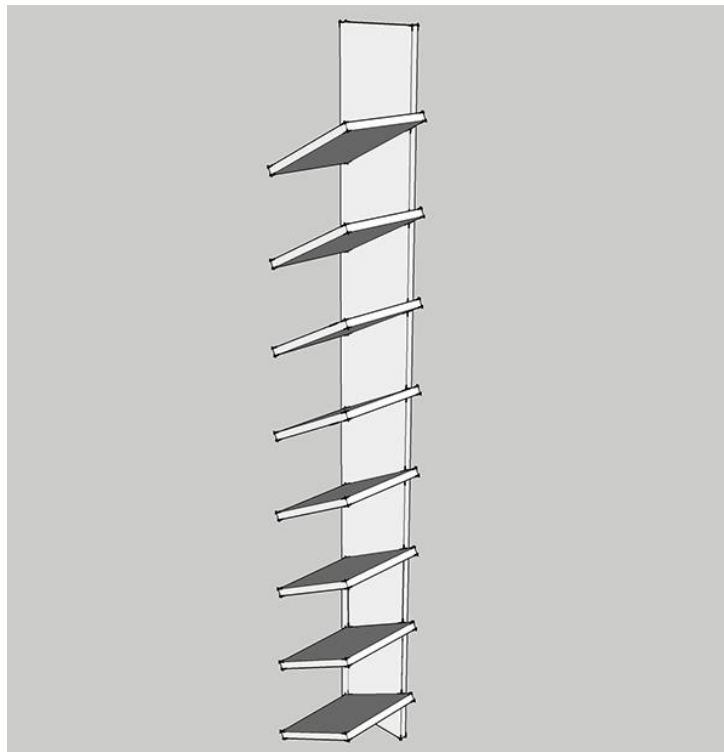


**Figure 6: Bottom and Side Jigs**

With the first shelf attached, the Shelf Jig can rest on the first shelf and get clamped into place. Again, the front edge is aligned to the front edge of the side board and the back edge is aligned to the edge of the first shelf. Attach the second shelf the same way the first shelf was attached. The Shelf Jig can now be removed and placed above the second shelf and this process is repeated until all the shelves are attached to the first side board. See Figures 7 and 8.

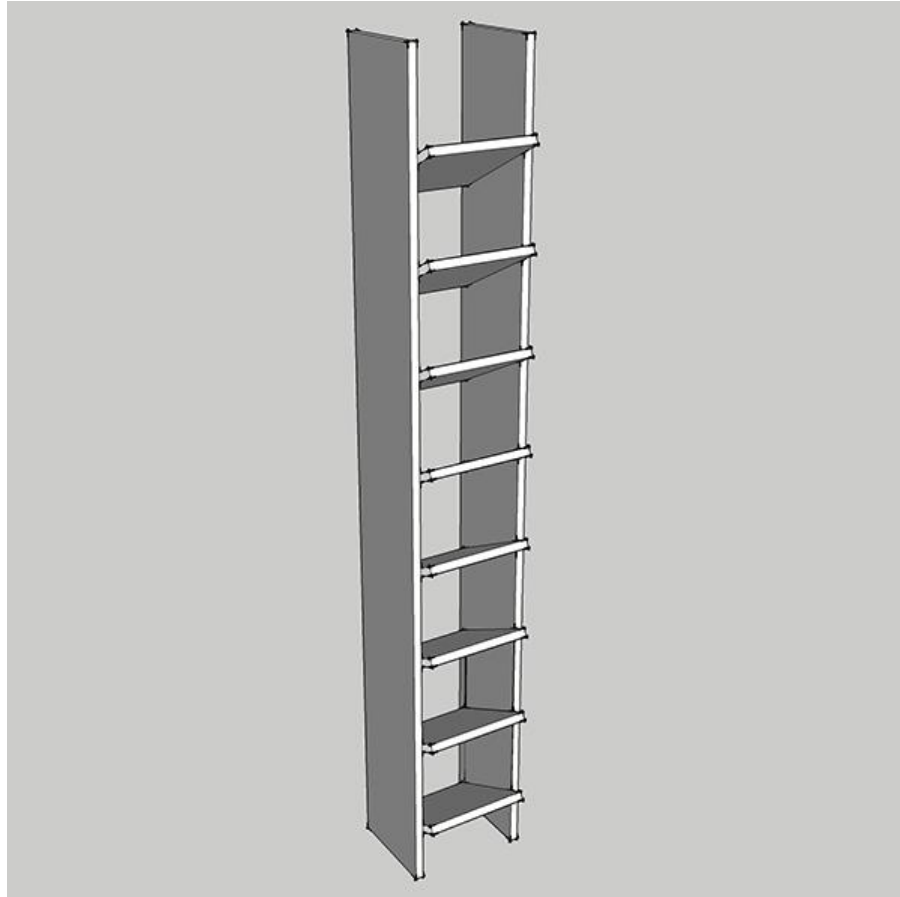


**Figure 7: Third Shelf Attached**



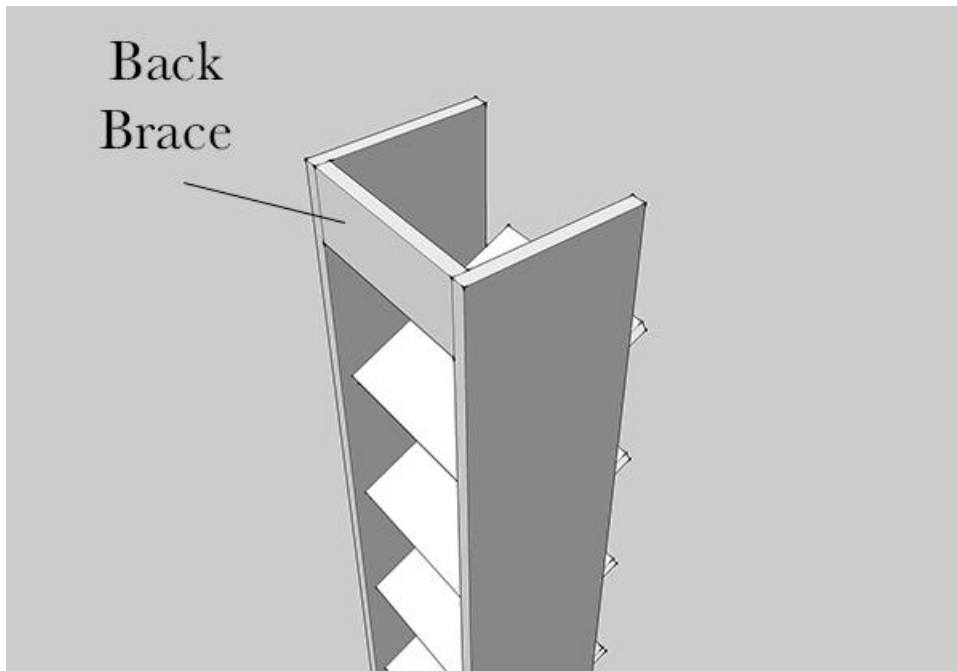
### **Figure 8: Shelves Attached to Side**

The other side board is attached to the completed half using the same process you used to attach the shelves to the first side board. See Figure 9 for the assembled shoe rack.



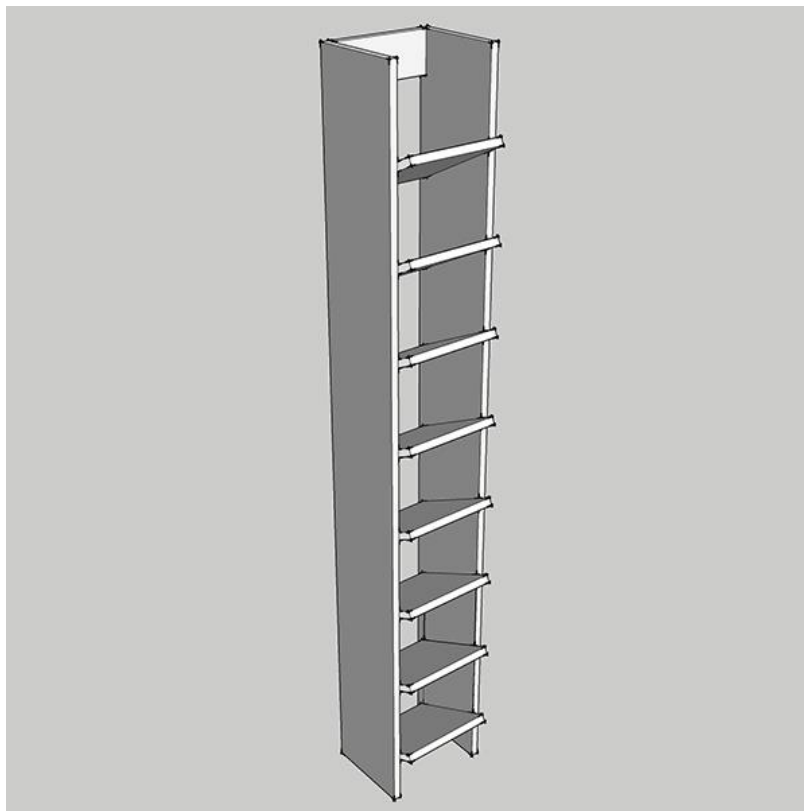
**Figure 9: Assembled Shoe Rack**

In order for the shoe rack to be stable, it needs to be secured to a wall either into a stud or using drywall anchors. Use pocket screws or standard wood screws to attach the Back Braces to the assembly. One should be located at the top of the rack and the other can be placed lower down at a location of your choosing. See Figure 10.



**Figure 10: Back Brace Attached**

Once the back braces are installed, this project is done.



## Figure 11: Shoe Organizer Completed

### **Resources**

Again, these plans were based on a series of blog posts that appeared on [Our Home from Scratch](#). If something you've read here is unclear, you may want to refer to those posts for clarification, but remember, these plans were developed in order to simplify the procedure seen on the website. If at any time, you get stuck on something or have a question, you can email me at [John@ourhomefromscratch.com](mailto:John@ourhomefromscratch.com).

That's it. If you find any errors or have any suggestions for improvement, drop us a line at [John@ourhomefromscratch.com](mailto:John@ourhomefromscratch.com)

Thanks!!